

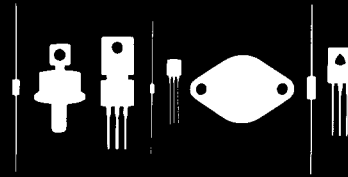
Central
Semiconductor Corp.

Central
Semiconductor Corp.

Central
Semiconductor Corp.

Central
Semiconductor Corp.

145 Adams Avenue
Hauppauge, New York 11788



2N6497

2N6498

2N6499

NPN SILICON
POWER TRANSISTOR

JEDEC TO-220 CASE

DESCRIPTION

The CENTRAL SEMICONDUCTOR 2N6497, 2N6498, 2N6499 types are Silicon NPN Power Transistors designed for high voltage amplifier applications.

MAXIMUM RATINGS (T_C = 25°C)

	SYMBOL	2N6497	2N6498	2N6499	UNITS
Collector-Base Voltage	V _{CBO}	350	400	450	V
Collector-Emitter Voltage	V _{CEO}	250	300	350	V
Emitter-Base Voltage	V _{EBO}		6.0		V
Collector Current	I _C		5.0		A
Collector Current (Peak)	I _{CM}		10		A
Base Current	I _B		2.0		A
Power Dissipation	P _D		80		W
Operating and Storage					
Junction Temperature	T _J , T _{stg}		-65 to +150		°C
Thermal Resistance	θ _{JC}		1.56		°C/W

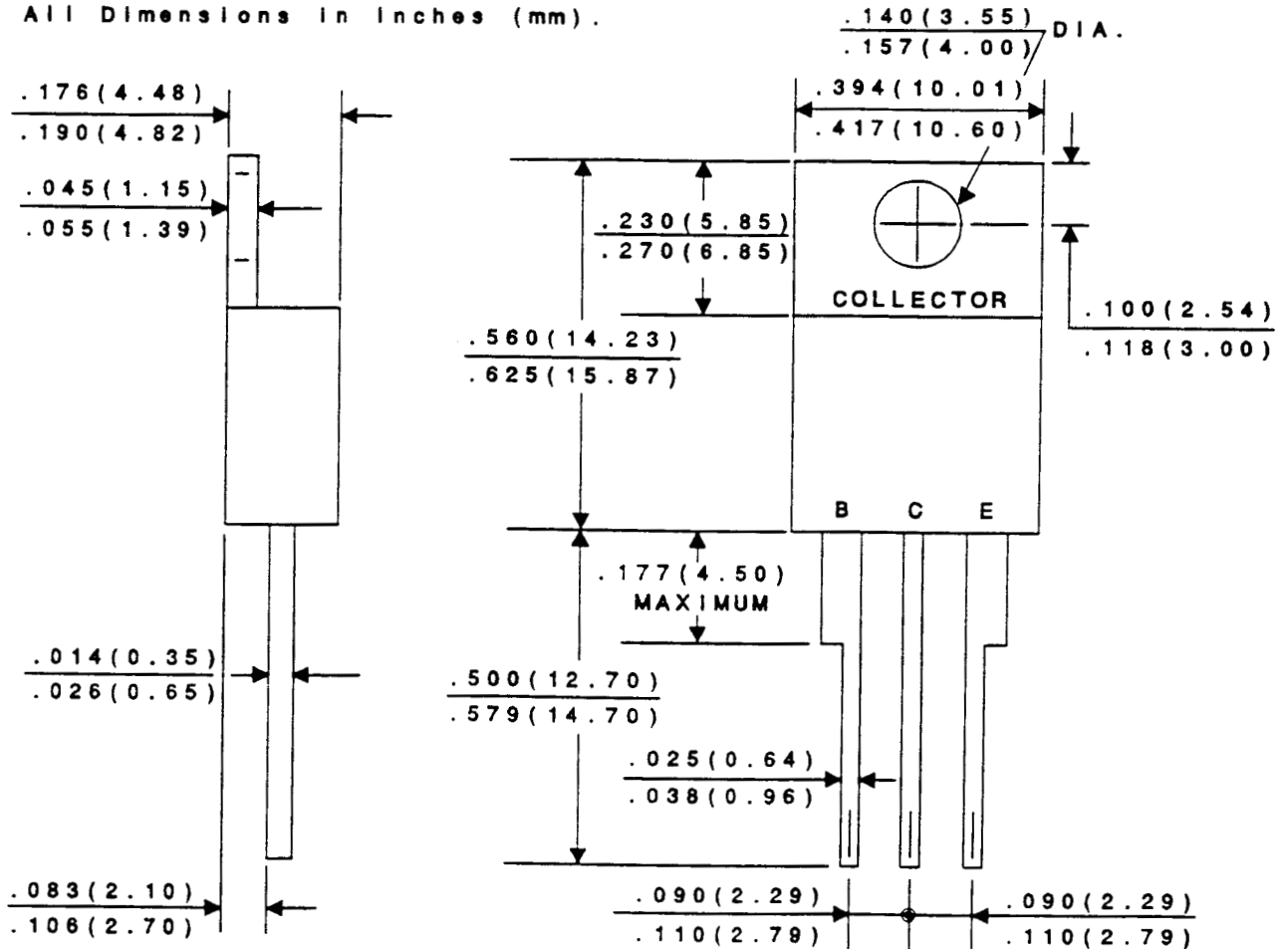
ELECTRICAL CHARACTERISTICS (T_C = 25°C unless otherwise noted)

SYMBOL	TEST CONDITIONS	2N6497		2N6498		2N6499		UNIT
		MIN	MAX	MIN	MAX	MIN	MAX	
I _{CEX}	V _{CE} = Rated V _{CBO} , V _{BE} = 1.5V		1.0		1.0		1.0	mA
I _{CEX}	V _{CE} = ½ Rated V _{CBO} , V _{BE} = 1.5, T _C = 100°C		10		10		10	mA
I _{EBO}	V _{BE} = 6.0V		1.0		1.0		1.0	mA
BV _{CEO}	I _C = 25mA	250		300		350		V
V _{CE(SAT)}	I _C = 2.5A, I _B = 500mA		1.0		1.25		1.5	V
V _{CE(SAT)}	I _C = 5.0A, I _B = 2.0A		5.0		5.0		5.0	V
V _{BE(SAT)}	I _C = 2.5A, I _B = 500mA		1.5		1.5		1.5	V
V _{BE(SAT)}	I _C = 5.0A, I _B = 2.0A		2.5		2.5		2.5	V
h _{FE}	V _{CE} = 10V, I _C = 2.5A	10	75	10	75	10	75	
h _{FE}	V _{CE} = 10V, I _C = 5.0A	3.0		3.0		3.0		
f _T	V _{CE} = 10V, I _C = 250mA, f = 1.0MHz	5.0		5.0		5.0		MHz
C _{ob}	V _{CB} = 10V, I _E = 0, f = 100kHz		150		150		150	pF
t _r	V _{CC} = 125V, I _C = 2.5A, I _{B1} = 0.5A		1.0		1.0		1.0	μs
t _s	V _{CC} = 125V, I _C = 2.5A, V _{BE} = 5.0V							
	I _{B1} = I _{B2} = 0.5A		2.5		2.5		2.5	μs
t _f	V _{CC} = 125V, I _C = 2.5A, I _{B1} = I _{B2} = 0.5A		1.0		1.0		1.0	μs

(OVER)

MECHANICAL DIMENSIONS

All Dimensions in inches (mm).



Central[™]
Semiconductor Corp.

145 Adams Avenue
Hauppauge, NY 11788 USA
Tel: (631) 435-1110 • Fax: (631) 435-1824
www.centalsemi.com